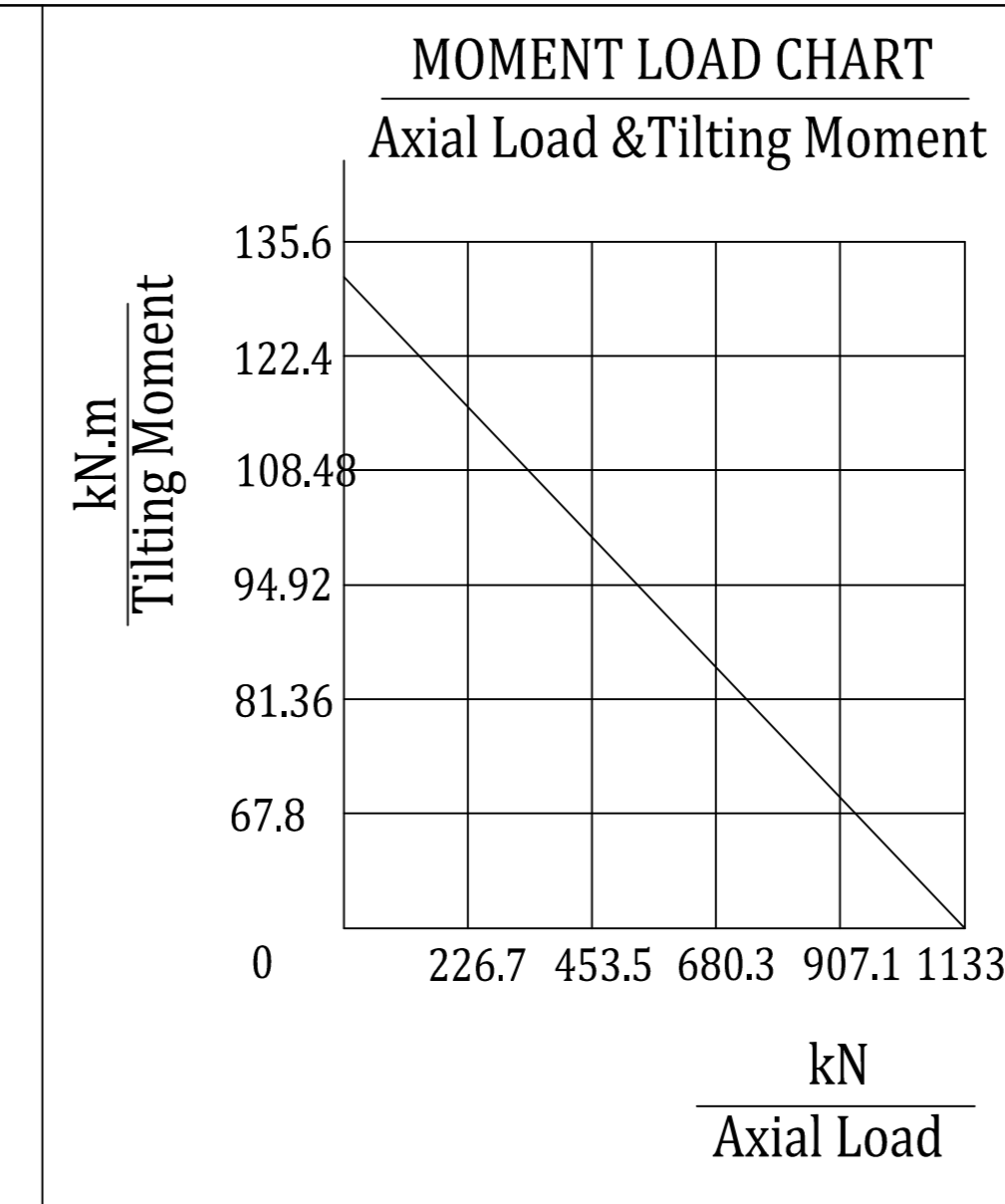
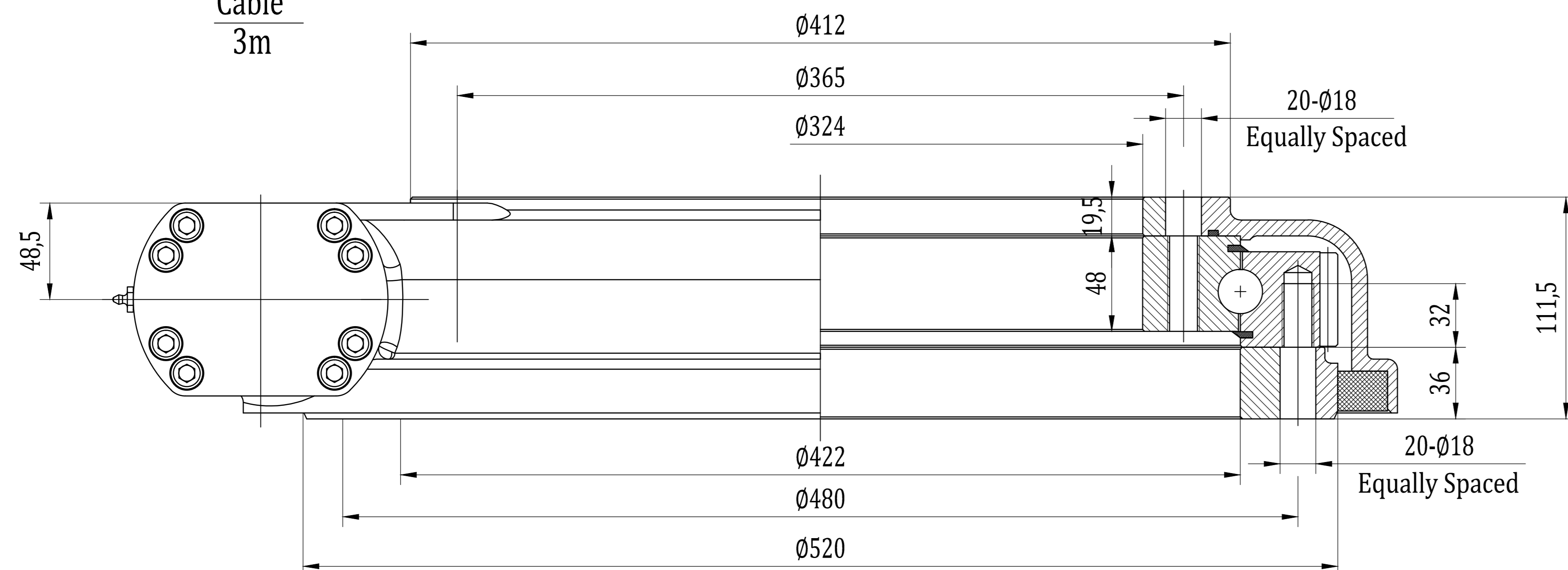
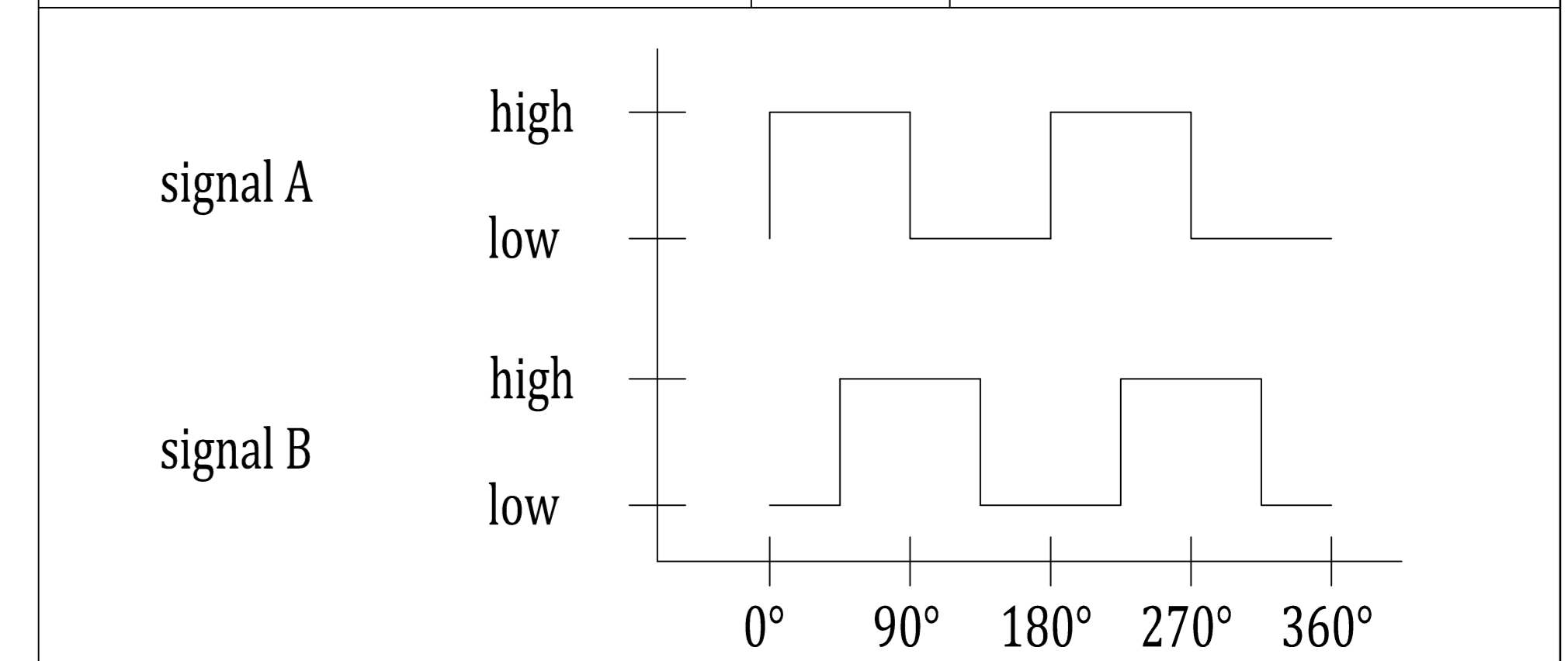
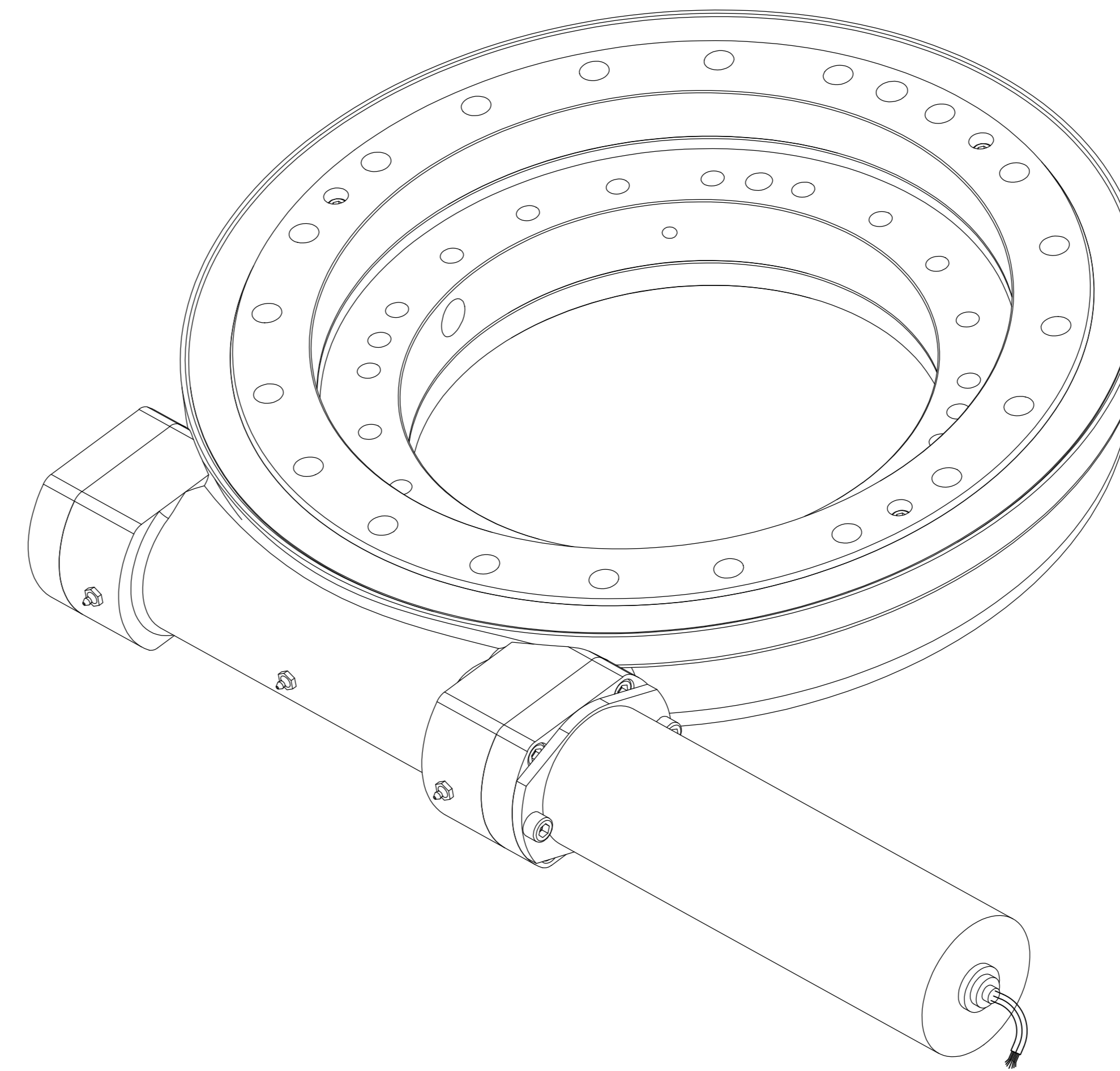


Wire Define	
Pin 1 (black)	motor -
Pin 2 (red)	motor +
Pin 3 (black thin)	hall -
Pin 4 (red thin)	hall +
Pin 5 (green)	hall A
Pin 6 (yellow)	hall B
Pin E (yellow green)	GND



Slewing Drive Performance Parameters		
Rated Output Speed	0.015rpm	
Output Torque	12.24 kN.m	9.03x10 ³ lbf.ft
Tilting Moment	135.6 kN.m	100x10 ³ lbf.ft
Holding Torque	72.3 kN.m	53.3x10 ³ lbf.ft
Static Axial Load Rating	970 kN	218.3x10 ³ lbf
Static Radial Load Rating	390 kN	87.8x10 ³ lbf
Gear Ratio	102:1	
Precision	≤0.17°	
24VDC Motor Performance Data(24H/15/300)		
Rated Output Torque	300 N.m	
Rated Output Speed	1.5 rpm	
IP Class	IP 65	
Rated Current	≤6.5A	
Temperature	-40 - +60°C	

MAGNETIC PULSE GENERATOR DATA		
Output type	-	voltage output
pull-up resistor	-	yes
Output signal	-	2 square wave signals
Phase quadrature	-	90 °
Impulses per revolution	ppr	2,channels A and B
Operating voltage	VDC	DC5-24
Operating current	mA	max. 12
Deviation of pulse width	-	max. 15 °
Deviation of phase shift	-	max. 15 °
Output voltage(low level)	VDC	max. 0.4 (20mA)
SIGNAL RISE TIME	ns	85
SIGNAL DECAY TIME	ns	60
Operation temperature	°C	-40 - +85



PIVEXIN
TECHNOLOGY
www.pivexin-tech.pl

ALL PROPRIETARY RIGHTS IN THE SUBJECT MATTER
HERE OF ARE RESERVED, AND NO PERMISSION IS GRANTED
OR TO DISCLOSE REPRODUCE THIS PRINT IN WHOLE
OR IN PART, ANY OF THE INFORMATION TO OTHERS.

WEIGHT	SCALE
106 kg	1 : 4
SIZE	A3
SHEET	1 / 1

Obrotnica solarna supraBox solar

17C z silnikiem DC 24V IP65

SYMBOLS ISO

